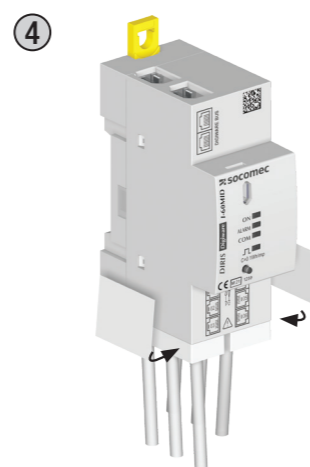
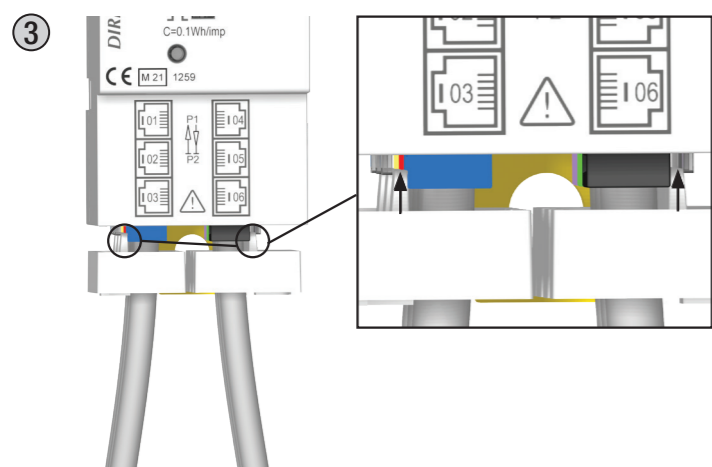
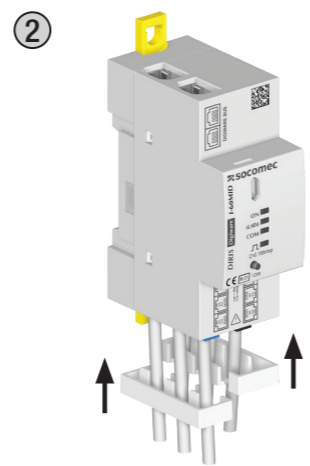
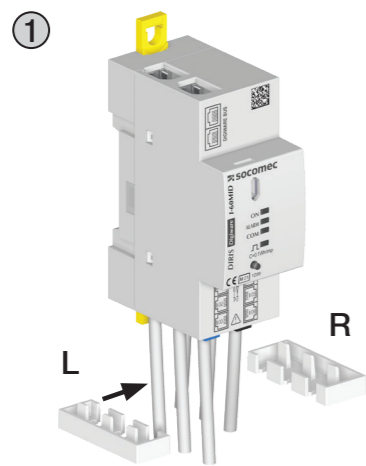


6 Void covers and stickers (for DIRIS Digiware I-xxMID meter only)*

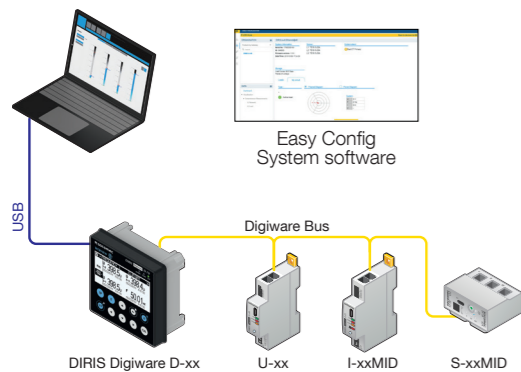
I-6xMID



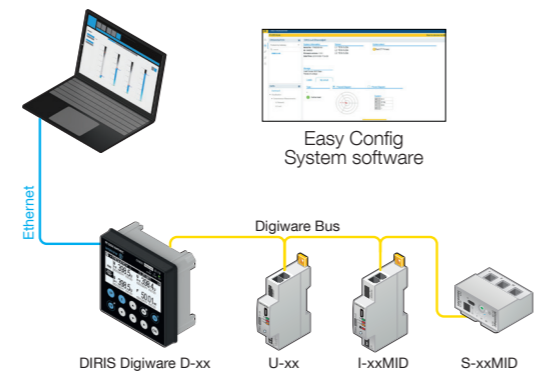
(* Please refer to the DIRIS Digiware instruction manual for the I-3x installation.)

7 Configuration

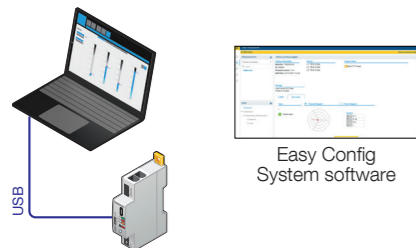
USB through D-xx display



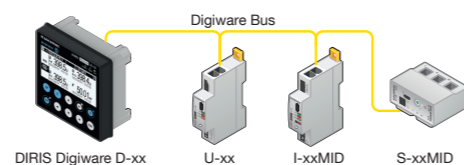
Ethernet through D-xx display



Direct USB to U-xx / I-xx / S-xx modules



Manually using HMI menus



QUICK START GUIDE



Multi-circuit MID certified active energy meters

DIRIS Digiware I-xxMID / S-xxMID



Full manual #542875
To download, brochures, catalogues and technical manuals: www.socomec.com/operating-instructions
www.socomec.com

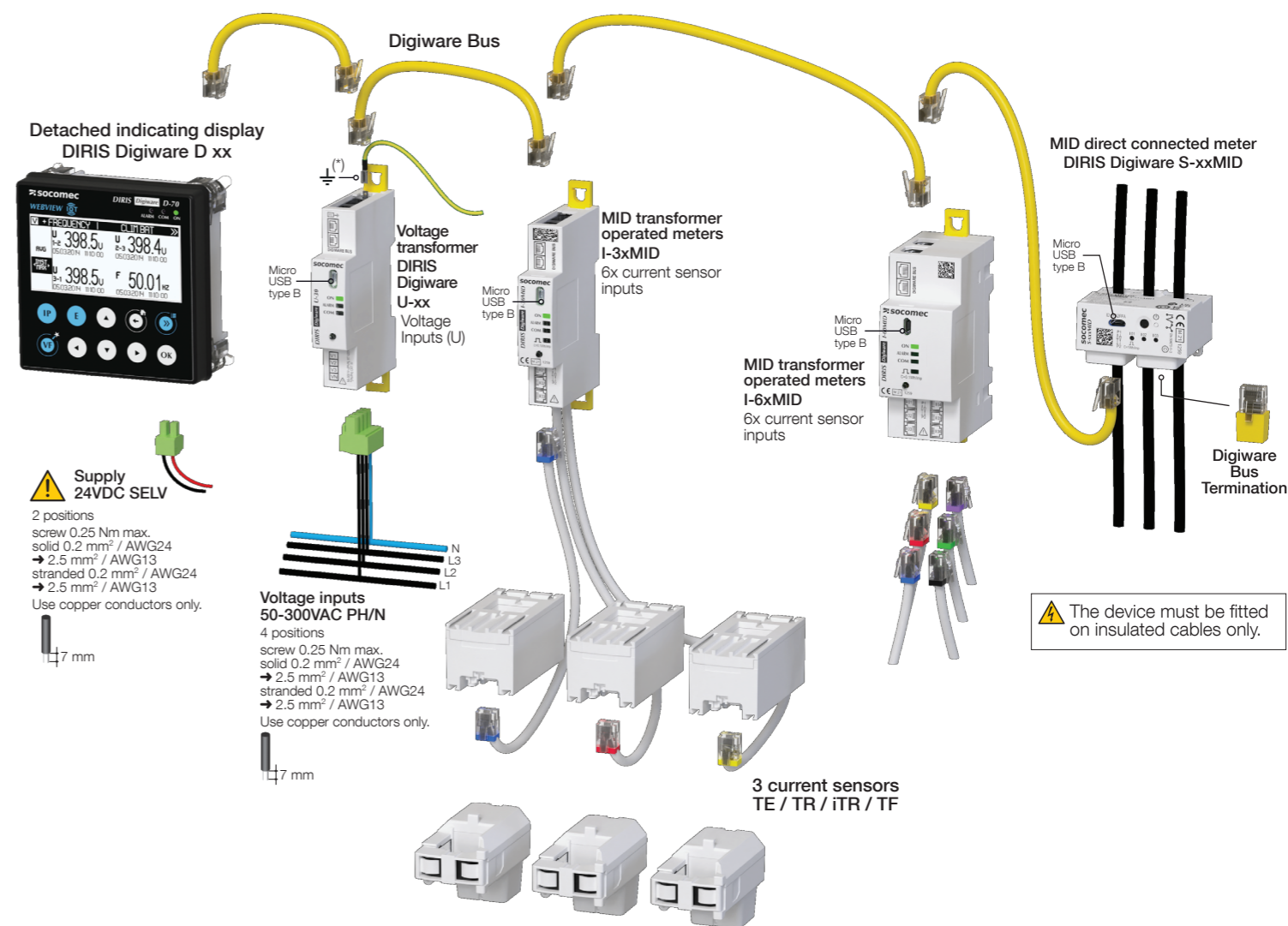
Product pictograms

	From left to right, single phase, three phase without neutral, three phase with neutral
	Power
	Meter pulse metrological LED
	Bi-directional energy meter (default is P1 → P2)

1 Wiring

⚠ Use **RJ45 Digiware Bus cables** (UTP RJ45 straight, twisted pairs, unshielded, AWG24, 300V, cat.III. rated, -20 / +70 °C) between all DIRIS Digiware modules.

⚠ Do not put USB or RJ45 connectors in contact with hazardous voltage.

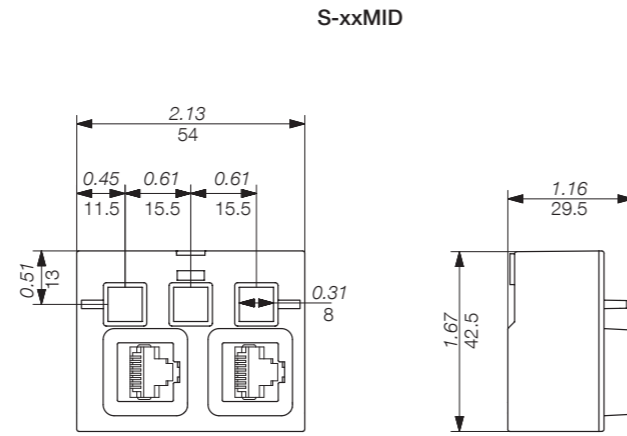
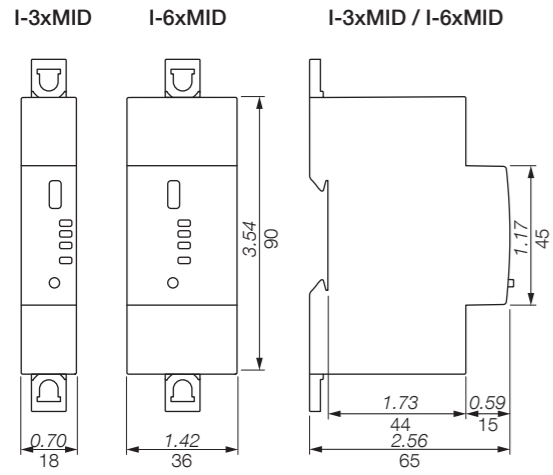


SELV : Safety Extra Low Voltage.
(*) Do not forget to connect earth to the DIRIS Digiware U module.

⚠ The use of a DIRIS Digiware D xx display is mandatory to claim compliance of the DIRIS Digiware system to the EN50470 1/3 standards and MID directive.

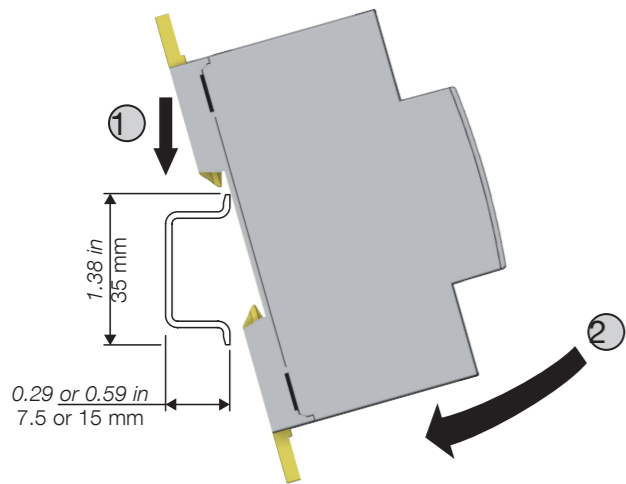


2 Dimensions (in/mm)

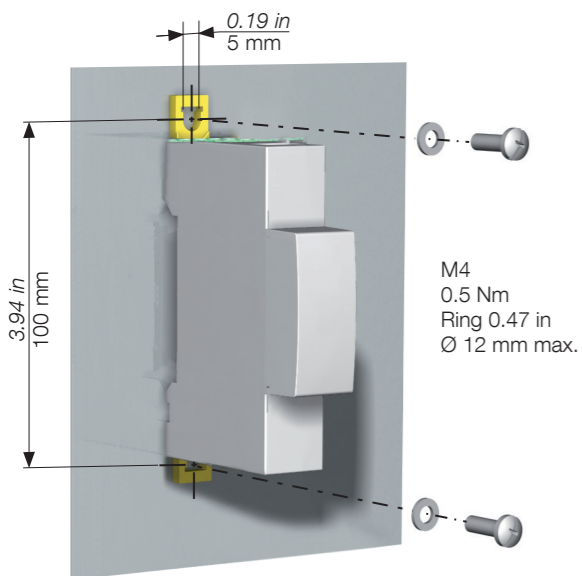


3 Mounting

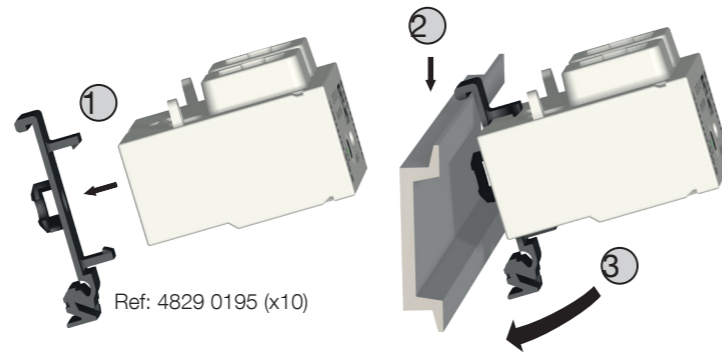
DIN rail (DIRIS Digiware I-xxMID)



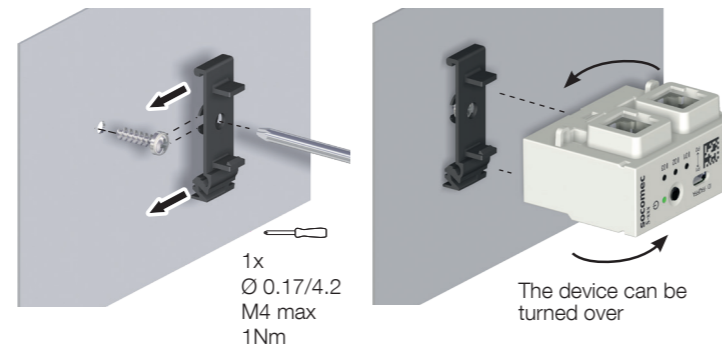
Back plate (DIRIS Digiware I-xxMID)



DIN rail (DIRIS Digiware S-xxMID)



Back plate (DIRIS Digiware S-xxMID)



4 MID accuracy verification report



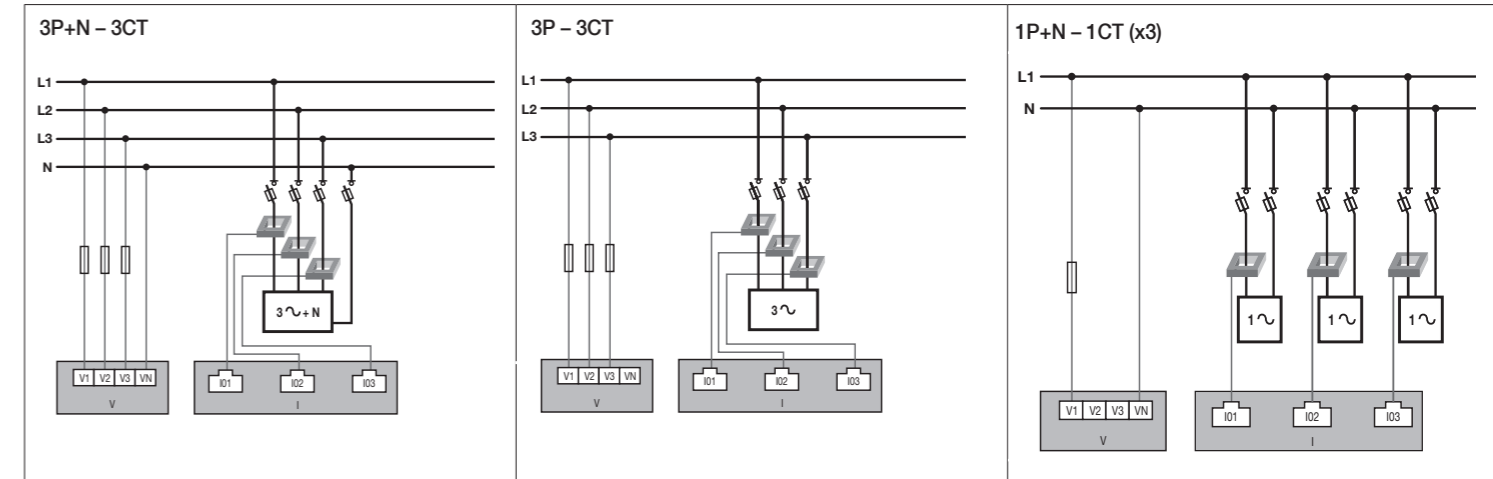
Flash the QR code or go to www.socomec.com, then follow the instructions to access the accuracy verification report according to the EN 50470 3 standard.

5 Network and Load connections

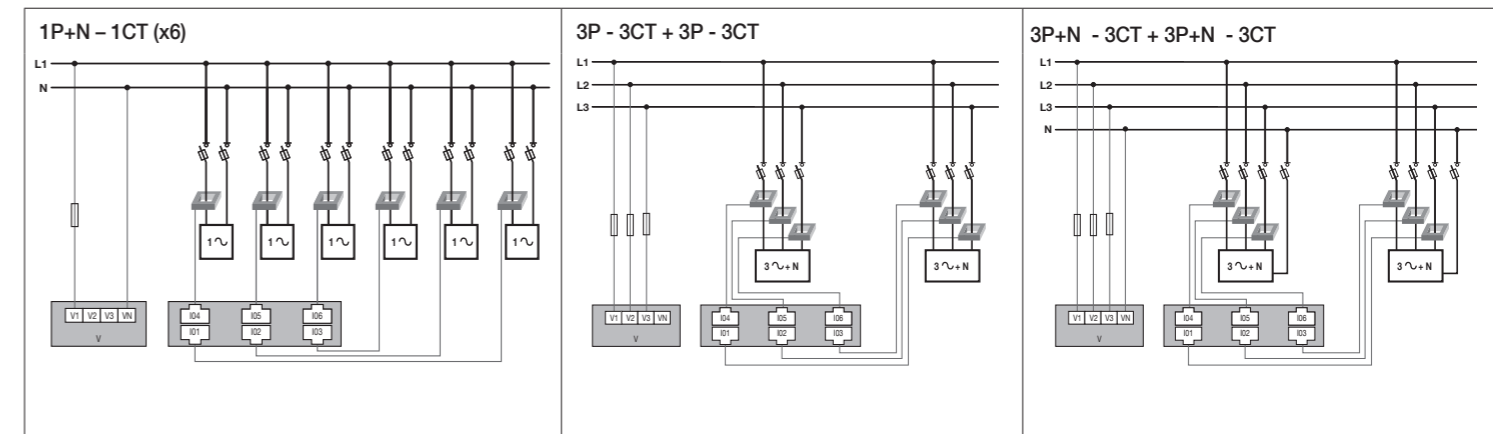


⚠ MID certification only covers following load types: 1P2W, 3P3W, 3P4W.

DIRIS Digiware I-3xMID



DIRIS Digiware I-6xMID



DIRIS Digiware S-xxMID

